

KUVA COLLECTION POTS



Item code: Kuva.53
(Kuva.53.t1.gc3.r50)

Collection

This is nature's greatest gift to plants: A soil full of air and life

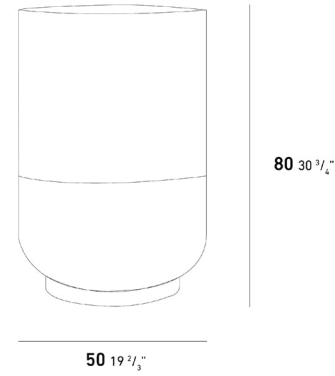
Thanks to the porous structure of terracotta, the roots of your plants get more air, so they grow healthier and stronger.

Our terracotta pots are the ideal option for those who want to rediscover naturalness and simplicity in the modern world.

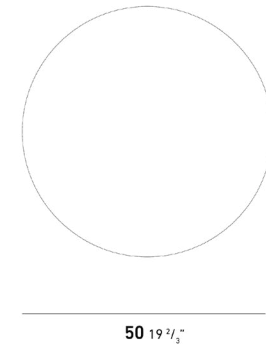
Each planter is a symbol of being part of nature and offering plants the best environment. These pots not only shelter your plants, but also ensure that they grow healthy and happy.

Product Dimension

cm / inch



cm / inch



TERRACOTTA

[more detail visit pg.2](#)



NATURAL

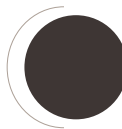
A gift of nature to humanity for centuries: Terracotta

This magical substance where earth and sun come together, brought the story from the heart of nature to YAAZ.

Terracotta is more than a raw material, it is life itself. With its natural structure, it gives life to plants and ensures the continuity of life by enveloping their roots.

GLAZED TERRACOTTA

[more detail visit pg.3](#)



BROWN

Terracotta is a type of ceramic obtained by firing clay at high temperatures and gaining extra durability through the glazing process applied to its surface. This process hardens the terracotta surface and makes it resistant to external factors.

Product Details

KUVA COLLECTION

POTS

TERRACOTTA

A gift of nature to humanity for centuries: Terracotta

Terracotta is a type of ceramic obtained by firing clay at high temperatures and gaining extra durability through the glazing process applied to its surface.

This magical substance where earth and sun come together, brought the story from the heart of nature to YAAZ.

Terracotta is more than a raw material, it is life itself. With its natural structure, it gives life to plants and ensures the continuity of life by enveloping their roots.

These pots made of terracotta not only house a plant, but also offer them a living space. These pots help plants growing in nature to find the closest environment to their habitat.

Cleaning and Using Instructions

Simply using a damp cloth is enough to clean our terracotta products.

Cleaning materials with chemicals can cause the surface polish to wear off over time and reduce its protective effect.

Avoid exposing the furniture to extreme temperatures, such as direct sunlight or freezing temperatures.

Do not use abrasive materials or harsh chemicals when cleaning the furniture, as they can damage the terracotta surface.

To prevent scratches or chips, avoid dragging heavy objects across the surface of the terracotta.

Consider covering with YAAZ cover, the furniture during prolonged periods of non-use, such as during the winter months or when you are away on vacation.

Regularly inspect the furniture for any signs of damage or wear, and address any issues promptly to prevent further damage.

TERRACOTTA COLOR



Natural

KUVA COLLECTION

POTS

GLAZED TERRACOTTA

Glazed terracotta is ideal for indoor and outdoor use. Thanks to its durability, it offers superior protection against harsh weather conditions, water, stains and scratches. The glaze on its surface not only adds an aesthetic shine, but also ensures the longevity of the material. Therefore, glazed terracotta is both aesthetically appealing and a reliable option in terms of durability.

Furthermore, glazed terracotta offers decorative flexibility with its color options and textural diversity. Whether you are looking for a rustic look or a modern touch, glazed terracotta can fulfill any design need. This unique material will continue to serve you for many years while beautifying your living spaces with its natural beauty and durability.

Glazed terracotta is a symbol of durability and aesthetics where raw materials from nature meet meticulous craftsmanship and mastery. Each piece adds warmth, character and durability to its surroundings, while its timeless beauty preserves its value for generations.

Cleaning and Using Instructions

Simply using a damp cloth is enough to clean our glazed terracotta products.

Cleaning materials with chemicals can cause the surface polish to wear off over time and reduce its protective effect.

Avoid exposing the furniture to extreme temperatures, such as direct sunlight or freezing temperatures.

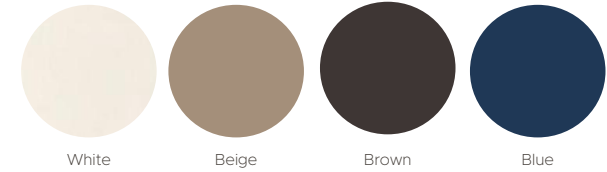
Do not use abrasive materials or harsh chemicals when cleaning the furniture, as they can damage the glazed terracotta surface.

To prevent scratches or chips, avoid dragging heavy objects across the surface of the glazed terracotta.

Consider covering with YAAZ cover, the furniture during prolonged periods of non-use, such as during the winter months or when you are away on vacation.

Regularly inspect the furniture for any signs of damage or wear, and address any issues promptly to prevent further damage.

GLAZED TERRACOTTA COLOR OPTIONS



White

Beige

Brown

Blue